



# Straightaway 180

## Sliding & Folding Door Systems



### Product Overview

The Straightaway 180 is a sophisticated and versatile top hung system designed for medium to heavy duty sliding doors up to 180kg. The system can easily accommodate sliding doors in a variety of architectural openings and is supplied with four wheeled hangers incorporating nylon coated wheels and precision ball bearings.

### Features

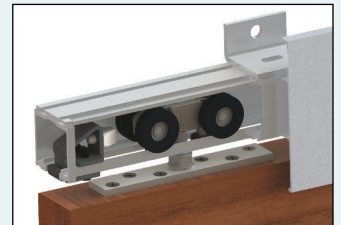
- Tracks can be ceiling mounted or face fixed
- No recessed floor tracks required
- Hangers manufactured with zinc cast solid bodies and delrin nylon outer wheels complete with precision ball bearings to ensure smooth and silent operation
- Variable height adjustment on doors
- Fittings available for timber, aluminium or metal doors

### Technical Specifications

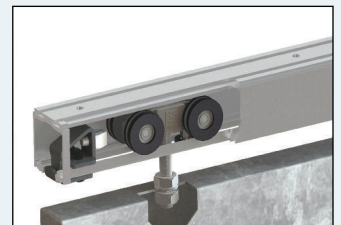
- Maximum door weight: 180kg
- Maximum door height: 3500mm
- Door Thickness: 35 – 55mm
- Track Dimensions: 47mm (w) x 48mm (h)



Recessed floor guide and channel for metal doors



Wall fixed track c/w fascia, hanger and apron plate for timber door



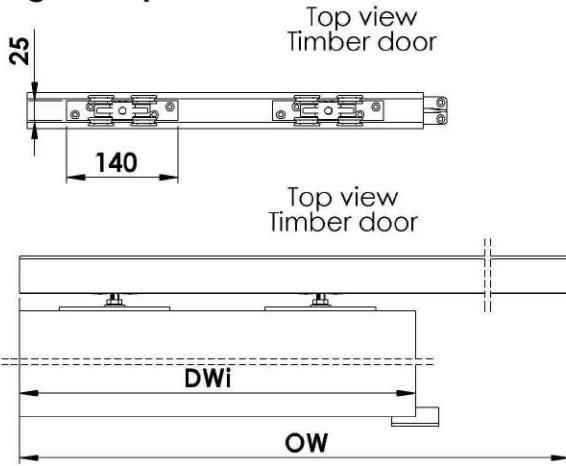
Soffit fixed track c/w hanger for metal door



Floor mounted guide for timber doors



### Straightaway 180



Maximum door weight 180kg

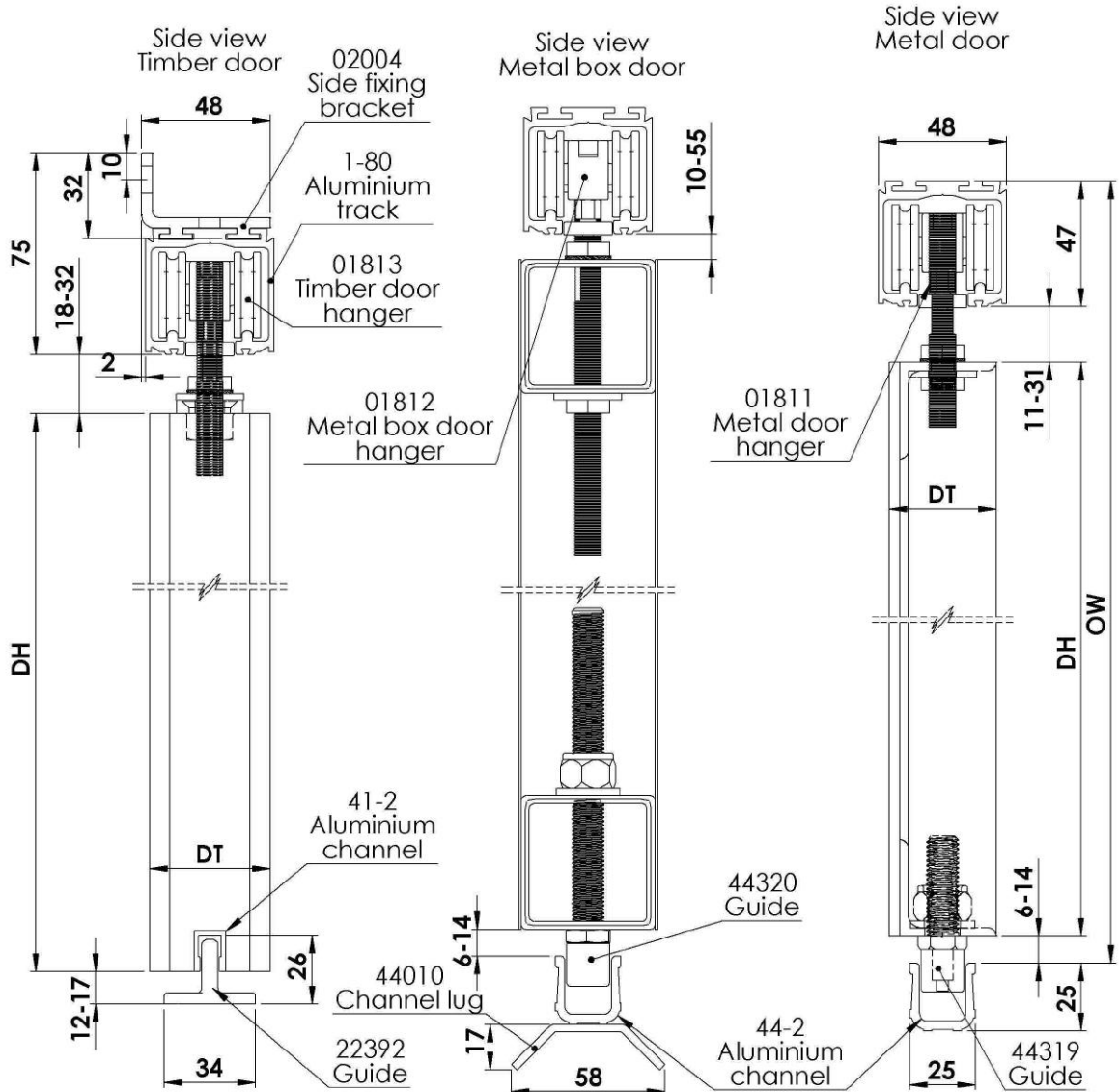
DH - Door Height, maximum 3500mm

DWi - Door width

DT - Door thickness,  
For timber doors, between 35mm and 55mm  
For metal doors, minimum 40mm

OW - Opening width

OH - Opening height



For further information on our products and services:  
Tel: +44 (0)20 8545 6680 sales@coburn.co.uk www.coburn.co.uk

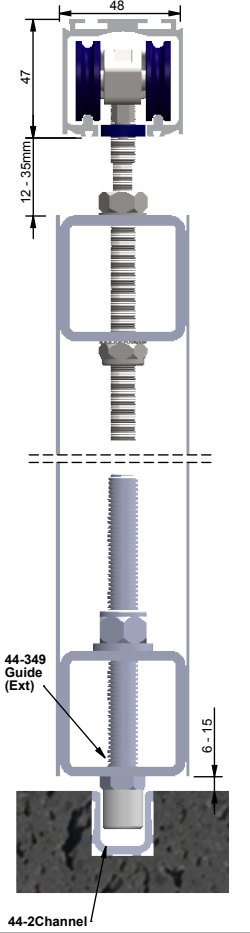
Unit 1, Cardinal West, Cardinal Way, Cardinal Distribution Park,  
Godmanchester, Huntingdon, Cambridgeshire, PE29 2XN United Kingdom.

Dealer Stamp

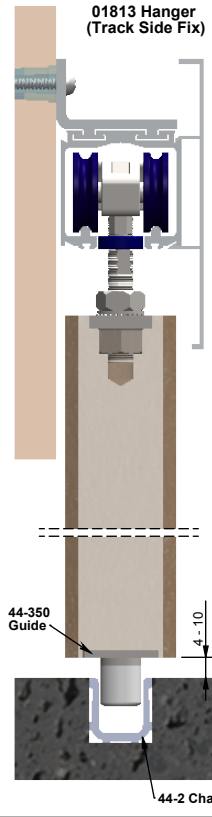
# STRAIGHTAWAY 180 Fitting Instructions

Max weight: 180Kg, Max height:4m, Thickness: 35-55mm

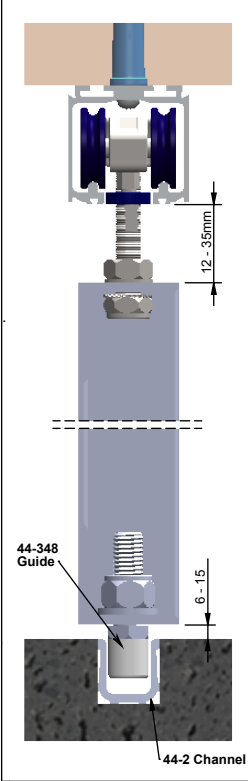
01812 Hanger (Track Soffit Fix)



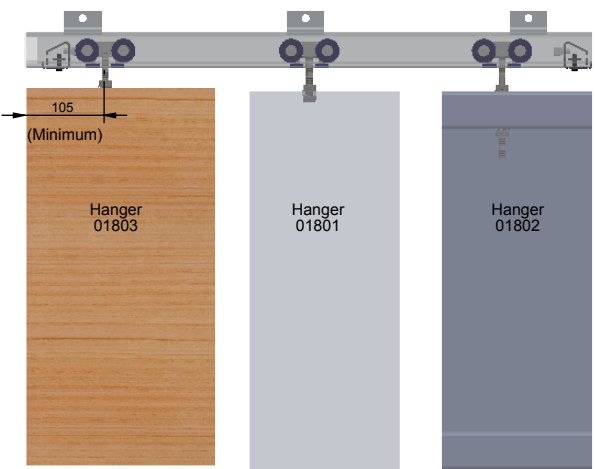
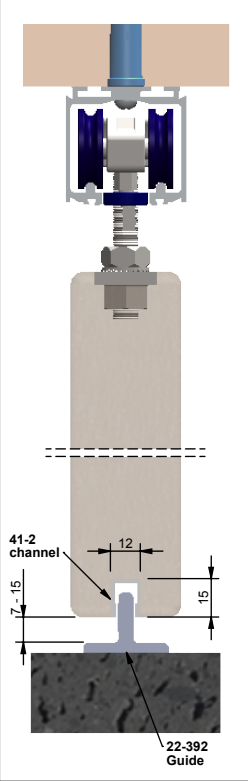
01813 Hanger (Track Side Fix)



01811 Hanger (Track Soffit Fix)



01813 Hanger (Track Soffit Fix)



Part No: 06426.32  
www.coburn.co.uk

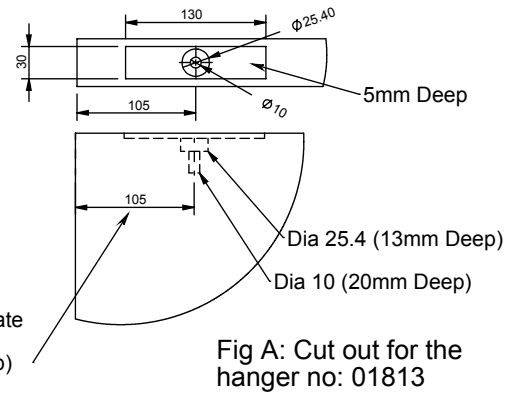
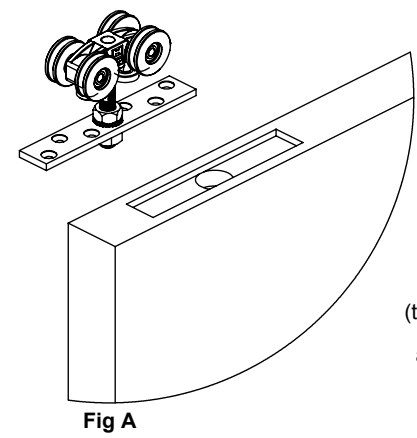
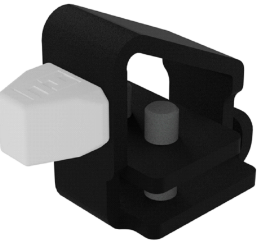


Fig A: Cut out for the hanger no: 01813



02718 Track stop

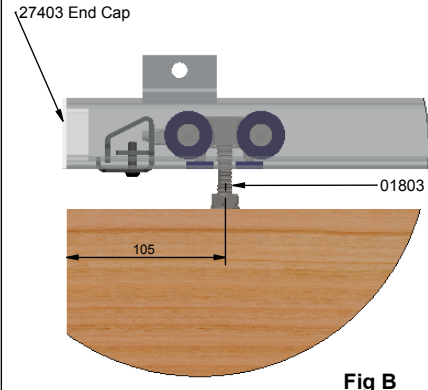
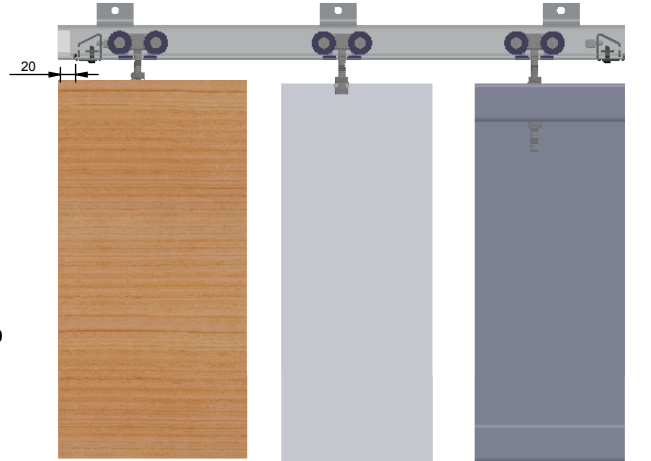


Fig B

Fig B shows track stop 02718 is 20mm from edge of the track to give clearance for the end cap.

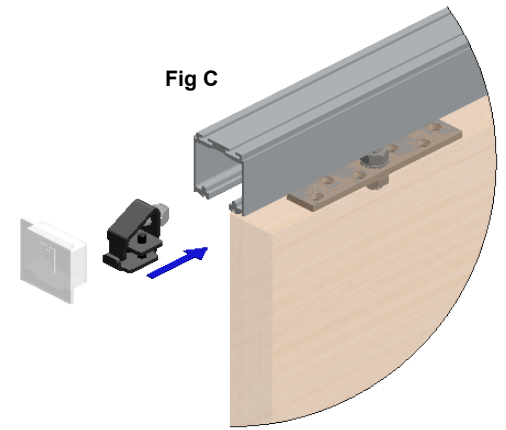


Fig C

In Fig C blue arrow shows the 02718 track stop inserted into the track. Then use spanner to tighten the screws.